

## Tank Mobile Kiosks - Heated Display

The Heated Display modules offer you a perfect vehicle to display and hold warm pies, pastry, breads in a dry or humid environment, maximising the appearance, taste and shelf life of food products. The 3 sided glass display provided maximum exposure for potential client.

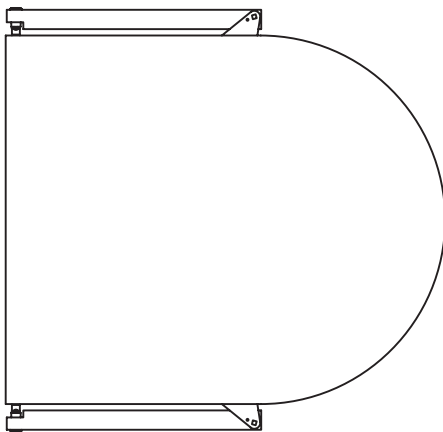
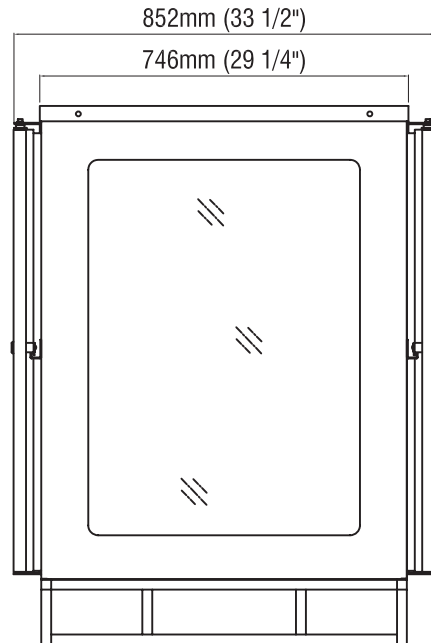
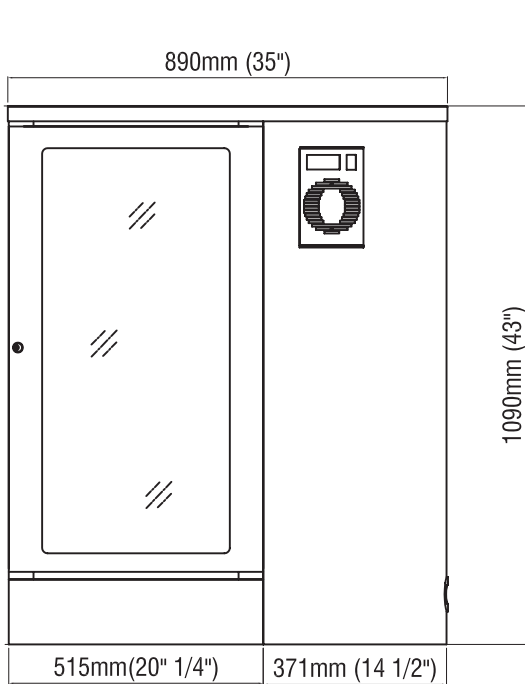


### Standard Features:

- Stainless steel construction and finish – interior and exterior
- Digital temperature display and control
- 230 liter capacity
- Internal lighting
- Controlled air flow to manage the temperature and humidity of the cabinet
- Double glazed glass doors and panelling
- Dual access lockable doors ( front and rear )
- 4 adjustable shelves
- Easy to clean
- Vinyl night cover
- Removable cover for service
- Available in left and right configurations
- UL, CUL, CE and NSF approved
- Designed and built to ISO9001:2008 and ISO14001:2004 quality and environment management standards



## Tank Mobile Kiosks - Heated Display



### Electrical:

AU/NZ: 220-240V, 50Hz, 900W  
 EU: 220-240V, 50Hz, 900W  
 UK: 220-240V, 50Hz, 900W  
 HK: 220-240V, 50Hz, 900W  
 USA: 120V, 60Hz, 900W

### Temperature:

Min Operating: 50°C  
 Max Operating: 80°C

### Weight:

Net Weight: 118Kg  
 Gross Weight: 157Kg

The dimensions given are reference dimensions only. Due to a continuous program of product improvement, Tank Mobile Kiosks reserves the right to make product changes without notice.

This document contains information that is confidential and proprietary to Tank Mobile Kiosks and shall not be reproduced or transferred to other documents or disclosed to others or used for any purpose other than that for which it was obtained without the expressed written consent of Tank Mobile Kiosks.

**Tank Mobile Kiosks Limited**  
 3507, 35/F, King Palace Plaza  
 52A Sha Tsui Road, Tsuen Wan  
 N.T., Hong Kong  
 Tel: +852 2308 4000  
 Fax: +852 2308 4001  
 info@tankkiosks.com  
 www.tankkiosks.com