

## Tank Mobile Kiosks - Heated Lower Module

The Heated Lower module offers a perfect storage facility for the display module, offering bulk storage for the items to be displayed. Used independently the lower module provides a holding cabinet for hot food with easy access for the operator. The modules are ideal for hot dog bars, sandwich bars, soup bars or any food preparation application.

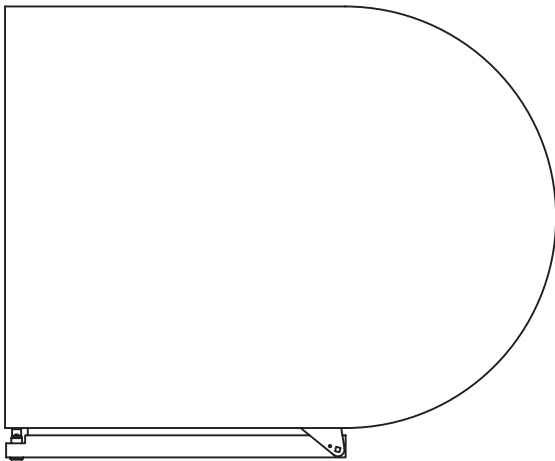
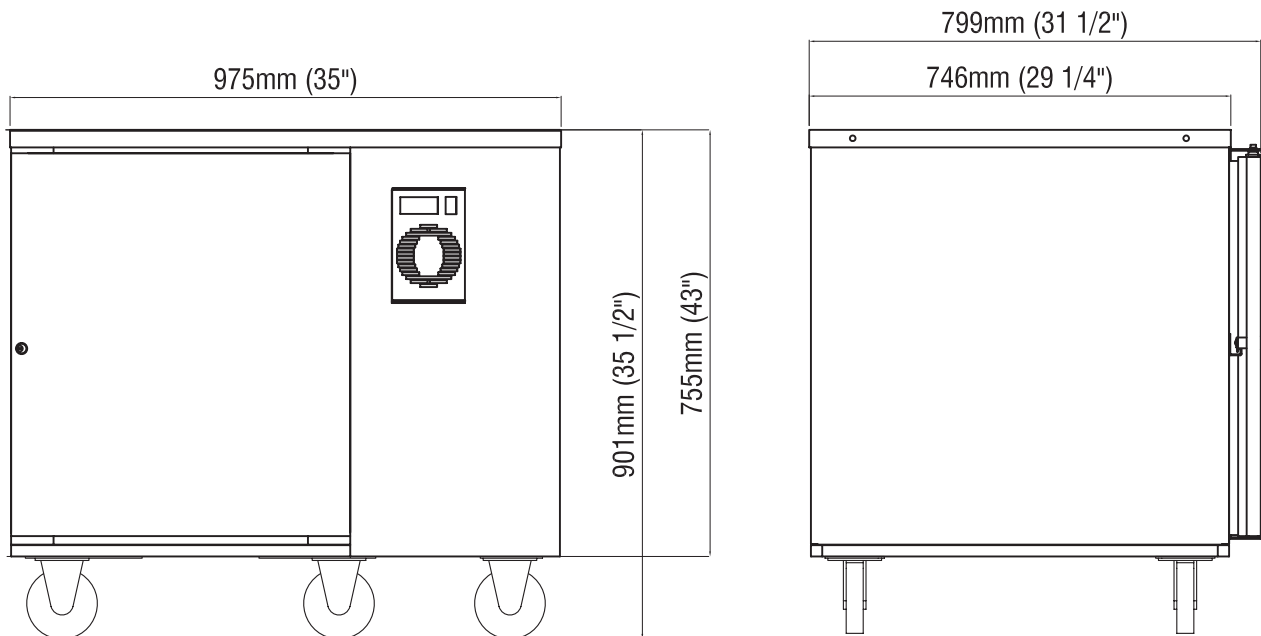


### Standard Features:

- Stainless steel construction and finish – interior and exterior
- Digital temperature display and control
- 198 liter capacity
- Controlled air flow to manage the temperature and humidity of the cabinet
- Insulated lockable door ( operator side )
- 3 adjustable shelves
- Vinyl night cover
- Heavy duty castors
- Available in left and right configurations
- Designed and built to ISO9001:2008 and ISO14001:2004 quality and environment management standards



## Tank Mobile Kiosks - Heated Lower Module



### Electrical:

AU/NZ: 220-240V, 50Hz, 350W  
 EU: 220-240V, 50Hz, 350W  
 UK: 220-240V, 50Hz, 350W  
 HK: 220-240V, 50Hz, 350W  
 USA: 120V, 60Hz, 350W

### Temperature:

Min Operating: 50°C  
 Max Operating: 80°C

### Weight:

Net Weight: 95Kg  
 Gross Weight: 137Kg

The dimensions given are reference dimensions only. Due to a continuous program of product improvement, Tank Mobile Kiosks reserves the right to make product changes without notice.

This document contains information that is confidential and proprietary to Tank Mobile Kiosks and shall not be reproduced or transferred to other documents or disclosed to others or used for any purpose other than that for which it was obtained without the expressed written consent of Tank Mobile Kiosks.

**Tank Mobile Kiosks Limited**  
 15th Floor, King Plaza  
 52A Sha Tsui Road, Tsuen Wan, Hong Kong  
 t: +852 2308 4000  
 f: +852 2308 4001  
 e: [info@tankkiosks.com](mailto:info@tankkiosks.com)  
[www.tankkiosks.com](http://www.tankkiosks.com)