

## Tank Mobile Kiosks - Refrigerated Display

The Refrigerated Display modules offer you a perfect vehicle to display cold food and drinks in a controlled environment, maximising the appearance, taste and shelf life of food products. The 3 sided glass display provided maximum exposure for potential cliental. Ideal for any application together with the Tank Gullwing that require refrigerated display space.

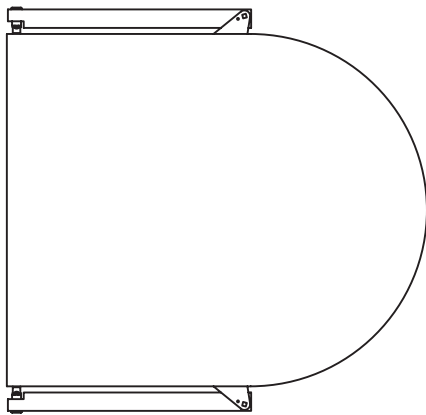
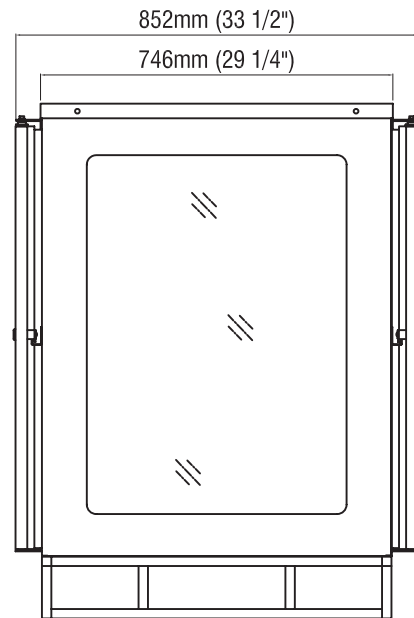
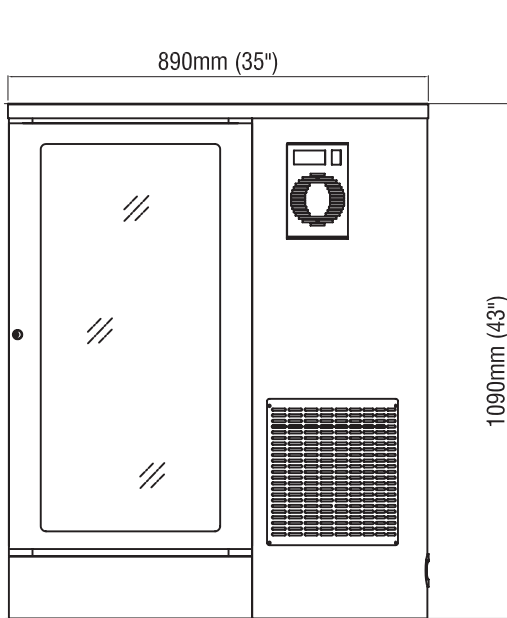


### Standard Features:

- 304 or 316 stainless steel construction and finish – interior and exterior
- Fully integrated refrigeration system
- Digital temperature display and control
- 230 liter capacity
- Internal lighting
- Controlled air flow to manage the temperature and humidity of the cabinet
- Designed for effective and efficient performance in 43°C ambient climate class operation
- Environmentally zero ODP foam injected insulation for excellent thermal efficiency
- Refrigeration cycle running indicate
- Energy efficient low noise compressor
- Automatic defrost
- Triplex glazed glass doors and panelling
- Transparent lockable glass door with integrated handle
- 4 adjustable shelves
- Easy to clean
- Vinyl night cover
- Removable cover for service
- Available in left and right configurations
- Designed and built to ISO9001:2008 and ISO14001:2004 quality and environment management standards



# Tank Mobile Kiosks - Refrigerated Display



**Electrical:**

AU/NZ:	220-240V, 50Hz, 500W
EU:	220-240V, 50Hz, 500W
UK:	220-240V, 50Hz, 500W
HK:	220-240V, 50Hz, 500W
USA:	120V, 60Hz, 500W

**Temperature:**

-2°C - +10°C

**Weight:**

Net Weight: 132Kg  
Gross Weight: 157Kg

**Refrigerant: R134a**

The dimensions given are reference dimensions only. Due to a continuous program of product improvement, Tank Mobile Kiosks reserves the right to make product changes without notice.

This document contains information that is confidential and proprietary to Tank Mobile Kiosks and shall not be reproduced or transferred to other documents or disclosed to others or used for any purpose other than that for which it was obtained without the expressed written consent of Tank Mobile Kiosks.

**Tank Mobile Kiosks Limited**  
15th Floor, King Plaza  
52A Sha Tsui Road, Tsuen Wan, Hong Kong  
t: +852 2308 4000  
f: +852 2308 4001  
e: info@tankkiosks.com  
www.tankkiosks.com